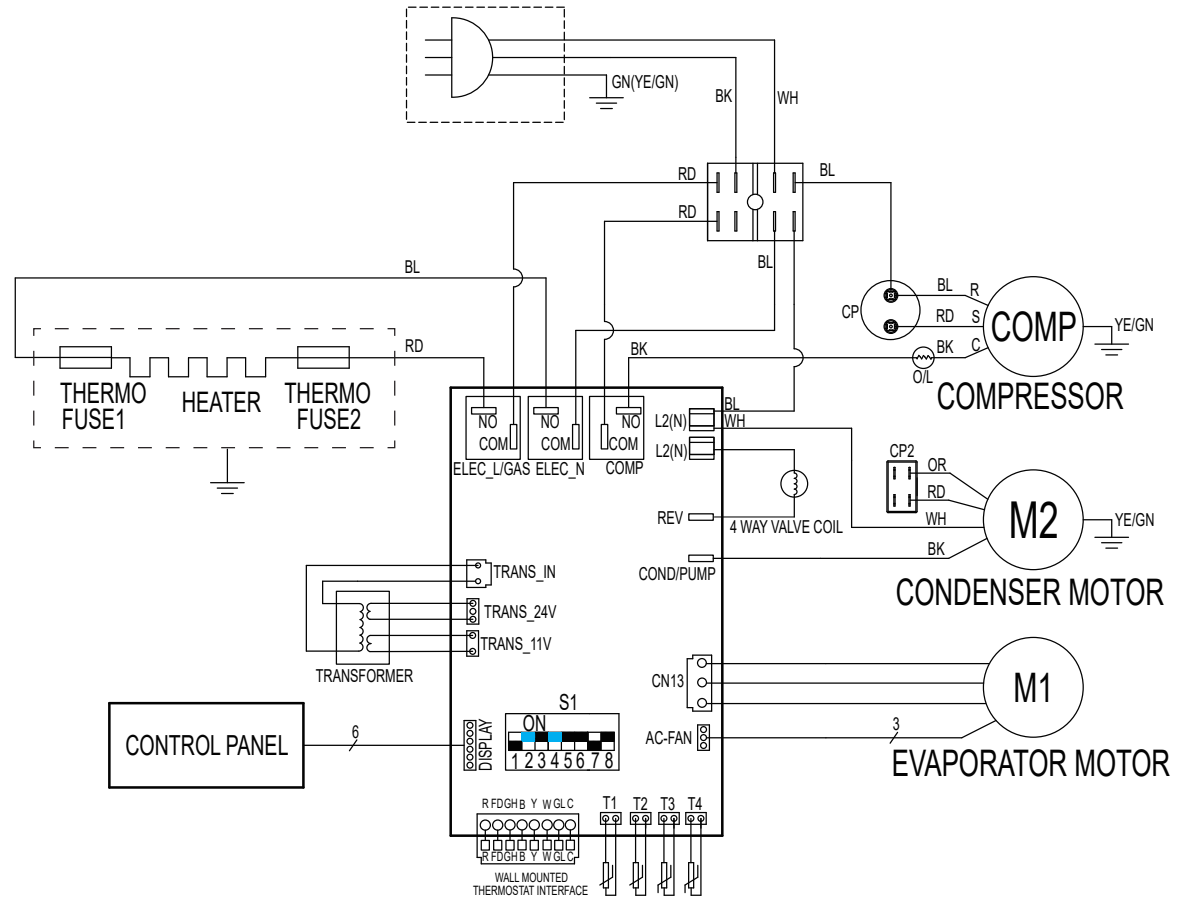


802022000095

# CIRCUIT DIAGRAM



SELECTOR SWITCH ( ON:  OFF:  )

WIRE COLOR CODE

S1.1	Anti-cold air	<input type="checkbox"/> Enable <input type="checkbox"/> Disable	S1.5	Room Freeze Protection	<input type="checkbox"/> Enable <input type="checkbox"/> Disable	BL BLUE	WH WHITE
S1.2	Heat Pump	<input type="checkbox"/> Enable <input type="checkbox"/> Disable	S1.6	Electric Memory	<input type="checkbox"/> Enable <input type="checkbox"/> Disable	BR BROWN	RD RED
S1.3	Electric Heat	<input type="checkbox"/> Enable <input type="checkbox"/> Disable	S1.7	Fan CYC. For Cooling	<input type="checkbox"/> Enable <input type="checkbox"/> Disable	GN GREEN	BK BLACK
S1.4	Heat Pump Prior	<input type="checkbox"/> Only panel	S1.8	Low speed running	<input type="checkbox"/>	OR ORANGE	YE YELLOW
	Electric Heat Prior	<input type="checkbox"/> Enable		High speed running	<input type="checkbox"/>	CP = COMPRESSOR CAPACITOR CP1 = EVAPORATOR MOTOR CAPACITOR CP2 = CONDENSER MOTOR CAPACITOR	